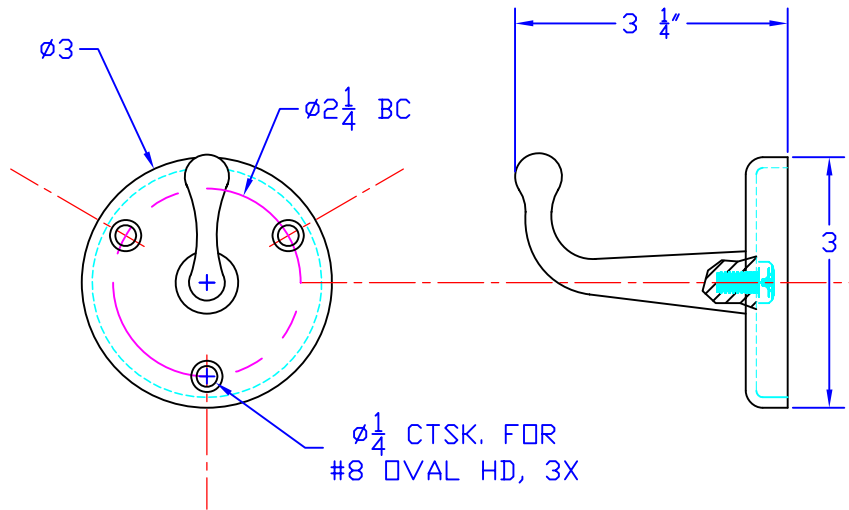
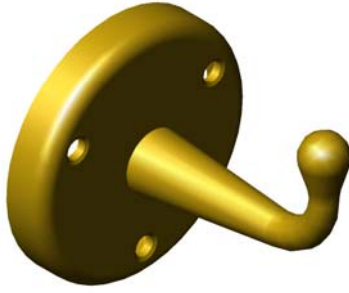




Technical Data B-5020-XX

EXPOSED MOUNT SINGLE HOOK



FINISH CODE -XX

- BC = BRIGHT CHROME
- SC = SATIN CHROME
- SB = SATIN BRASS
- BB = BRIGHT BRASS

Construction:

FLANGE: STAMPED SOLID BRASS WITH (3) $\frac{1}{4}$ " MOUNTING HOLES CTSK. FOR #8 OVAL HEAD SCREWS.
 HOOK: SOLID BRASS CASTING FASTENED TO FLANGE.
 MOUNTING SCREWS: SUPPLIED WITH (3) #8 PHIL. OVAL HEAD MS X $1\frac{1}{4}$ " LONG.

Installation:

USE FLANGE AS TEMPLATE TO MARK AND LOCATE HOLES.
 FASTEN TO WALL.

CAUTION: HOOK AND FLANGE ARE ONLY AS STRONG AS THE ANCHORING DEVICES AND THE WALL ON WHICH IT IS MOUNTED TO.

Guide Specification:

EXPOSED MOUNT SINGLE HOOK.
 SOLID BRASS CONSTRUCTION IN FINISHES AS INDICATED.
 $3\frac{1}{4}$ " WALL PROJECTION.